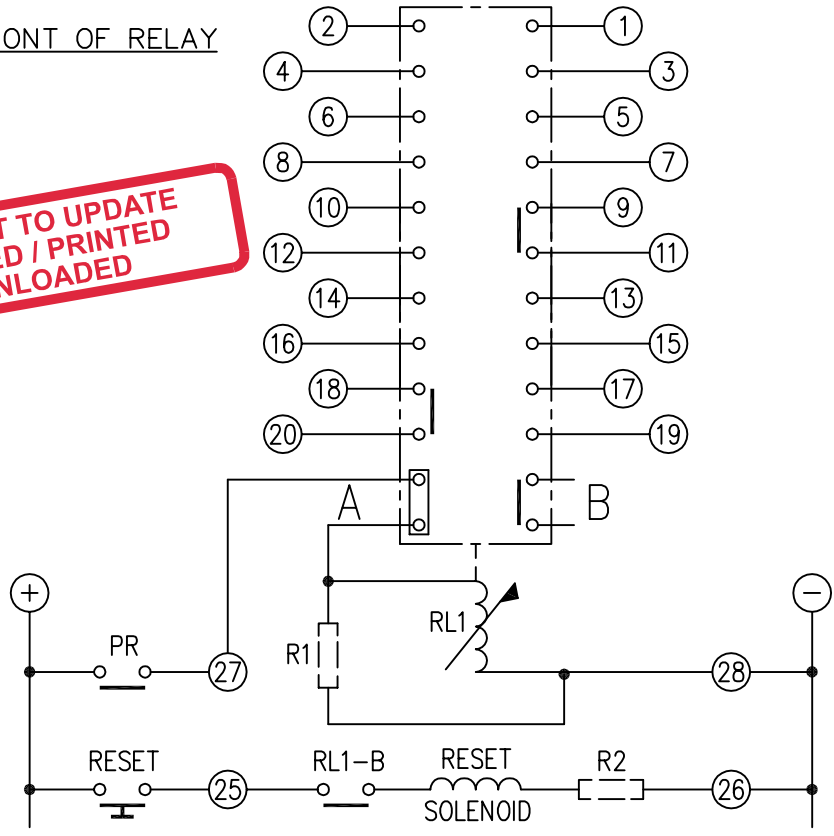


2112W50015

LOOKING ON FRONT OF RELAY

NOT SUBJECT TO UPDATE  
ONCE COPIED / PRINTED  
OR DOWNLOADED



220&240	1x470R	2102C45471	1x470R	2102C15471
125	2x100R in series	2102C41101	NIL	
50	1x390R	2102C35391	NIL	
30	NIL		1x6R8	2102C15687
24	NIL		NIL	
VDC	R1		R2	

- KEY**
- make contact
  - break contact
  - c/o contact
  - ext. conn
  - plug bridge - shorting
  - metering point
  - 5Kv barrier
  - test socket - shorting
  - plug & socket

CONTACT CONFIG.	OUTPUT CONTACT PAIR / TERMINAL No.										
	1-3	2-4	5-7	6-8	9-11	10-12	13-15	14-16	17-19	18-20	
10M	M	M	M	M	M	M	M	M	M	M	M
9M 1B	M	B	M	M	M	M	M	M	M	M	M
8M 2B	B	B	M	M	M	M	M	M	M	M	M
7M 3B	B	B	M	B	M	M	M	M	M	M	M
6M 4B	B	B	B	B	M	M	M	M	M	M	M
5M 5B	B	B	B	B	M	B	M	M	M	M	M
4M 6B	B	B	M	B	M	M	B	B	B	B	M
3M 7B	B	B	B	B	M	M	B	B	B	B	M
2M 8B	B	B	B	B	M	B	B	B	B	B	M

**NOTE:**

- CONTACT CONFIGURATION ABOVE IS REQUIRED FOR RELAY OPERATION. FOR DETAILS OF VARIABLE CONTACT OPTIONS SEE TABLE OPPOSITE.
- RESISTORS R1 7 R2 ARE FITTED ONLY WHEN REQUIRED. SEE TABLE ABOVE.

FRAME REFERENCE: E2FAQM.  
FRAME TERMINAL BLOCK ASSY: -

ASSEMBLY INSTRUCTIONS: -  
TYPICAL ASSEMBLY DRAWING 2995G10032.  
AT INDICATED POSITIONS FIT AS FOLLOWS:  
T - FIT TRIP ISOLATION CONTACT 2995B10053  
S - FIT STANDARD CONTACT 2995B10054  
SECURE CONTACTS USING FIXING SCREW 2109F99009.  
POSITIONS SHOWN BLANK ARE UNUSED

2	T	T	1
4	T	T	3
6	T	T	5
8	T	T	7
10	T	T	9
12	T	T	11
14	T	T	13
16	T	T	15
18	T	T	17
20	T	T	19
22			21
24			23
26	S	S	25
28	S	S	27

VIEW FROM NUMBERED SIDE OF BLOCK

OUTER TERMINAL BLOCK ASSY: -

ASSEMBLY INSTRUCTIONS: -  
TYPICAL ASSEMBLY DRAWING 2995G10029.  
AT INDICATED POSITIONS FIT AS FOLLOWS:  
S - FIT STANDARD CONTACT 2995B10051  
HC - FIT 'HEAVY CURRENT' KIT 2995G10030  
WHERE IS SHOWN FIT CT SHORTING KIT 2995G10031  
POSITIONS SHOWN BLANK ARE UNUSED.  
ALL POSITIONS FIT SCREW 2106F12506.

2	S	S	1
4	S	S	3
6	S	S	5
8	S	S	7
10	S	S	9
12	S	S	11
14	S	S	13
16	S	S	15
18	S	S	17
20	S	S	19
22			21
24			23
26	S	S	25
28	S	S	27

VIEW FROM INSIDE FACE

4 RDW 15/09/06 MN112/2832			Title. T.B. AND WIRING DIAG. FOR TR231-10/ TR241-10 RELAYS IN EPSILON E2 CASE.		First used on:	
3 RDW 14/11/05 MN112/2744			<div style="display: flex; justify-content: space-between;"> <div style="font-weight: bold; font-size: 1.2em;">Reyrolle Protection Hebburn.</div> <div style="text-align: center;">Original Scale. </div> </div>		Similar Articles:	
2 08/02/00 MN112/247					Supersedes:	
ISSUE	DATE	MOD.No.	2112W50015		Drg.No.	
DRAWN: A.LAW.	CHECKED:	APPROVED: R.D.WATSON			DATE: 16/07/02	